

Fig. B501 - Light Weight U-Bolt with 2 Hex Nuts (TOLCO Fig. 111)

Size Range: Size 1/2" (15mm) thru 8" (200mm) pipe

Material: Carbon Steel

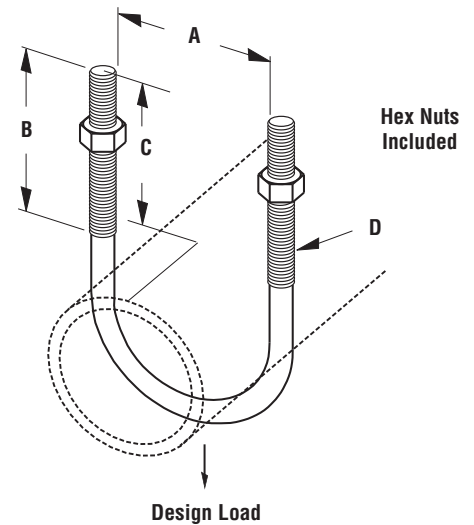
Function: Recommended for supporting or anchoring light pipe loads.

Maximum Temperature: 650°F (343°C)

Finish: Plain. Contact Cooper B-Line for alternative finishes and materials.

Order By: Figure number and finish.

Note: When furnished in Hot-Dip Galvanized finish, oversize tapped hex nuts must be used.



Part No.	A		B		C		D	Design Load		Approx. Wt./100	
	in.	(mm)	in.	(mm)	in.	(mm)		Lbs.	(kN)	Lbs.	(kg)
B501-1/2	15/16"	(23.8)	13/4"	(44.4)	11/2"	(38.1)	5/16"-18	600	(2.67)	12	(5.4)
B501-3/4	11/8"	(28.6)	13/4"	(44.4)	15/8"	(41.3)	5/16"-18	600	(2.67)	13	(5.9)
B501-1	13/8"	(29.9)	17/8"	(47.6)	15/8"	(41.3)	5/16"-18	900	(4.00)	14	(6.3)
B501-11/4	123/32"	(43.6)	13/4"	(44.4)	115/32"	(37.3)	5/16"-18	900	(4.00)	15	(6.8)
B501-11/2	2"	(50.8)	13/4"	(44.4)	17/16"	(36.5)	5/16"-18	900	(4.00)	16	(7.2)
B501-2	27/16"	(61.9)	21/16"	(52.4)	17/8"	(47.6)	3/8"-16	1200	(5.34)	27	(12.2)
B501-21/2	215/16"	(74.6)	21/16"	(52.4)	113/16"	(46.0)	3/8"-16	1200	(5.34)	32	(14.5)
B501-3	39/16"	(90.5)	2"	(50.8)	13/4"	(44.4)	3/8"-16	1800	(8.00)	36	(16.3)
B501-31/2	43/32"	(94.6)	2"	(50.8)	123/32"	(43.6)	3/8"-16	1800	(8.00)	38	(17.2)
B501-4	419/32"	(116.7)	21/4"	(57.1)	121/32"	(50.0)	3/8"-16	1800	(8.00)	42	(19.0)
B501-5	521/32"	(143.6)	21/4"	(57.1)	2"	(50.8)	1/2"-13	2400	(10.70)	92	(41.7)
B501-6	63/4"	(171.4)	25/8"	(66.7)	23/8"	(60.3)	5/8"-11	2400	(10.70)	176	(79.8)
B501-8	83/4"	(222.2)	25/8"	(66.7)	23/8"	(60.3)	5/8"-11	2400	(10.70)	191	(86.6)

All dimensions in charts and on drawings are in inches. Dimensions shown in parentheses are in millimeters unless otherwise specified.

Fig. B3188 - Standard U-Bolt with 4 Hex Nuts
Fig. B3188C - Standard Plastic Coated U-Bolt

Size Range: Size 1/2" (15mm) thru 30" (900mm) pipe

Material: Steel

Function: Recommended for support, anchor or guide of pipe.

Approvals: Underwriters Laboratories Listed 3/4" (20mm) thru 12" (300mm).
 Conforms to Federal Specification WW-H-171E & A-A-1192A, Type 24
 and Manufacturers Standardization Society ANSI/MSS SP-69 & SP-58,
 Type 24.

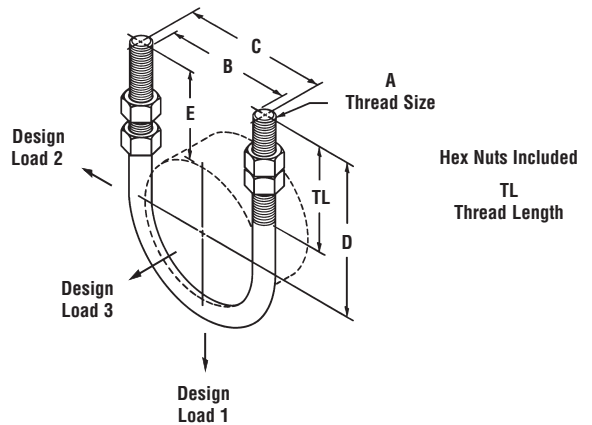
Maximum Temperature: 750°F (399°C)

Finish: Plain. Contact Cooper B-Line for alternative finishes and materials.

Order By: Figure number and finish. U-bolt can be furnished with longer tangents "D" or with longer threads "E". Consult factory.

Note: When furnished in Hot-Dip Galvanized finish, oversize tapped hex nuts must be used.

B3188NS - Non-standard (NS) U-bolts are available upon request. Specify dimensions other than standard. B3188DI - For ductile iron pipe.



B3188C
Plastic Coated

Part No.	Pipe Size		Thread Size	Thread Length TL		B	
	in.	(mm)		in.	(mm)	in.	(mm)
B3188-1/2	1/2"	(15)	1/4"-20	2 1/8"	(54.0)	15/16"	(23.8)
B3188-3/4	3/4"	(20)	1/4"-20	2 1/8"	(54.0)	1 1/8"	(28.6)
B3188-1	1"	(25)	1/4"-20	2 1/8"	(54.0)	1 3/8"	(34.9)
B3188-1 1/4	1 1/4"	(32)	3/8"-16	2 1/8"	(54.0)	1 11/16"	(42.9)
B3188-1 1/2	1 1/2"	(40)	3/8"-16	2 1/2"	(63.5)	2"	(50.8)
B3188-2	2"	(50)	3/8"-16	2 1/2"	(63.5)	2 7/16"	(61.9)
B3188-2 1/2	2 1/2"	(65)	1/2"-13	3"	(76.2)	2 15/16"	(74.6)
B3188-3	3"	(80)	1/2"-13	3"	(76.2)	3 9/16"	(90.5)
B3188-3 1/2	3 1/2"	(90)	1/2"-13	3"	(76.2)	4 1/16"	(103.2)
B3188-4	4"	(100)	1/2"-13	3"	(76.2)	4 9/16"	(115.9)
B3188-5	5"	(125)	1/2"-13	3"	(76.2)	5 21/32"	(143.6)
B3188-6	6"	(150)	5/8"-11	3 3/4"	(95.2)	6 3/4"	(171.4)
B3188-8	8"	(200)	5/8"-11	3 3/4"	(95.2)	8 3/4"	(222.2)
B3188-10	10"	(250)	3/4"-10	4"	(101.6)	10 7/8"	(276.2)
B3188-12	12"	(300)	7/8"-9	4 1/4"	(107.9)	12 7/8"	(327.0)
B3188-14	14"	(350)	7/8"-9	4 1/4"	(107.9)	14 1/8"	(358.8)
B3188-16	16"	(400)	7/8"-9	4 1/4"	(107.9)	16 1/8"	(409.6)
B3188-18	18"	(450)	1"-8	4 3/4"	(120.6)	18 1/8"	(460.4)
B3188-20	20"	(500)	1"-8	4 3/4"	(120.6)	20 1/8"	(511.2)
B3188-24	24"	(600)	1"-8	4 3/4"	(120.6)	24 1/8"	(612.8)
B3188-30	30"	(750)	1"-8	4 3/4"	(120.6)	30 1/8"	(765.2)

All dimensions in charts and on drawings are in inches. Dimensions shown in parentheses are in millimeters unless otherwise specified.